

**NOTICE TECHNIQUE D'INSTALLATION  
INSTALLATION INSTRUCTIONS  
INSTALLATIONSNOTIZ  
MANUAL TECNICO DE INSTALACION  
ORYGINALNA INSTRUKCJA**



Unit Coolers

**NK**

**Kit HDA**

N° IN5N00022-C

10.2023

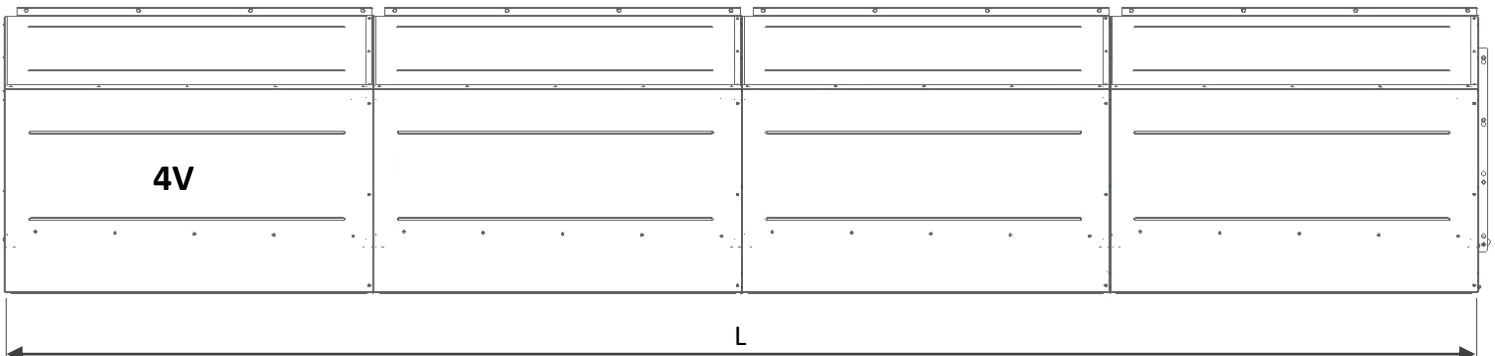
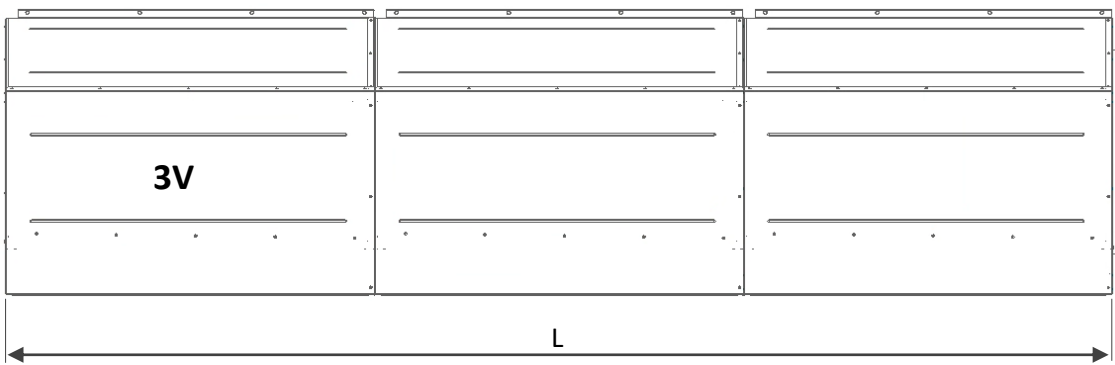
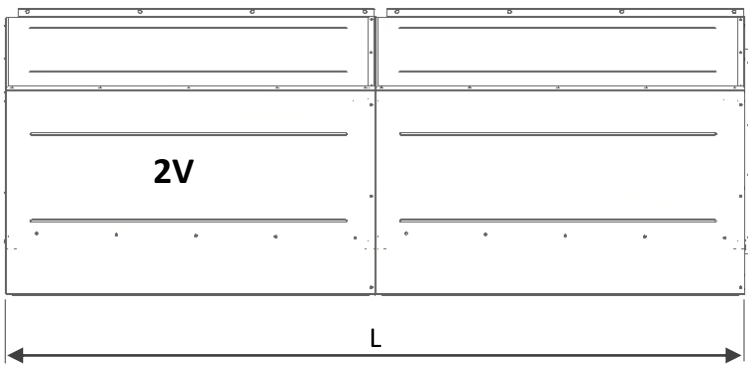
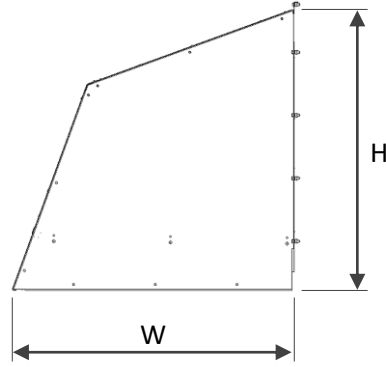
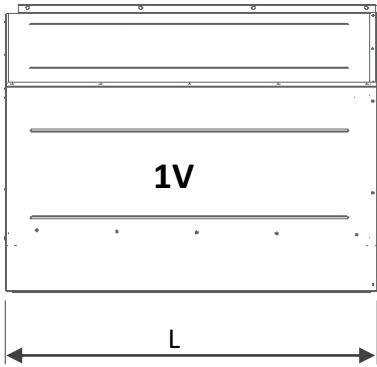


## **SOMMAIRE - SUMMARY - ZUSAMMENFASSUNG - SUMARIO**

1. DIMENSIONS - DIMENSIONNAL - ABMESSUNGEN - DIMENSIONES - WYMIARY P.3
2. COMPOSITION DU KIT - KIT COMPOSITION - KIT ZUSAMMENSETZUNG - COMPOSICIÓN DEL KIT - SKLAD ZESTAWU P.4
3. INSTALLATION - INSTALLATION - INSTALLATION - INSTALACIÓN - INSTALACJA P.8

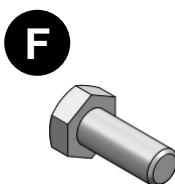
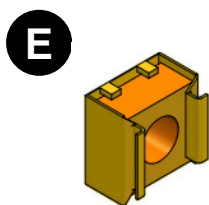
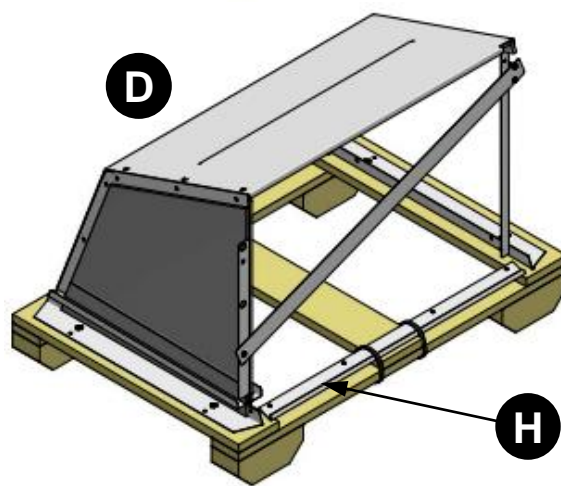
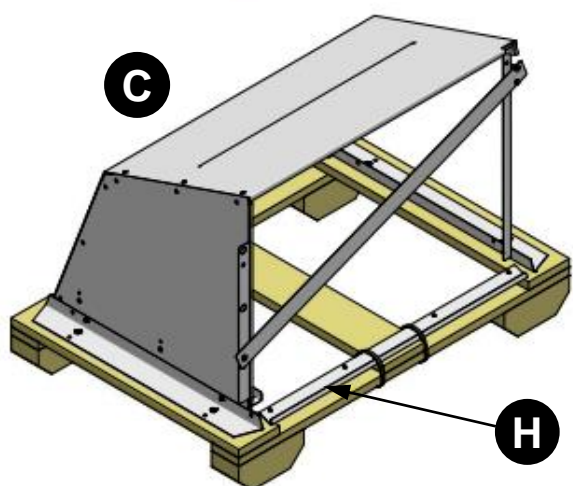
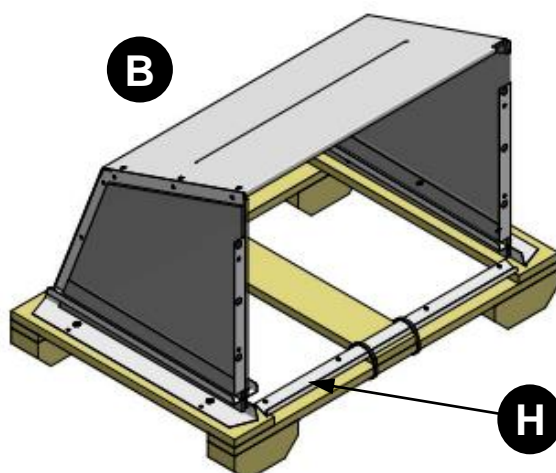
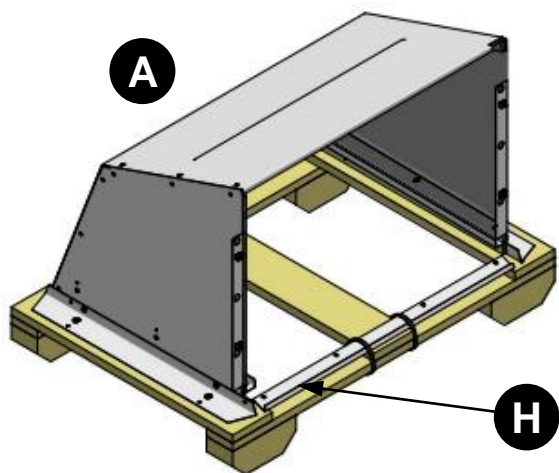
# 1. DIMENSIONS - DIMENSIONNAL - ABMESSUNGEN - DIMENSIONES - WYMIARY

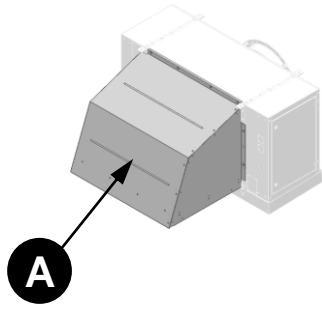
|        | NK 500 |      |      |      | NK 630 |      |      |      | NK 800 |      |      |      | NK 1000 |      |
|--------|--------|------|------|------|--------|------|------|------|--------|------|------|------|---------|------|
|        | 1V     | 2V   | 3V   | 4V   | 1V     | 2V   | 3V   | 4V   | 1V     | 2V   | 3V   | 4V   | 2V      | 3V   |
| H (mm) | 710    |      |      |      | 980    |      |      |      | 1200   |      |      |      | 1480    |      |
| W (mm) | 735    |      |      |      | 1005   |      |      |      | 1200   |      |      |      | 1525    |      |
| L (mm) | 1000   | 2000 | 3000 | 4000 | 1200   | 2400 | 3600 | 4800 | 1600   | 3200 | 4800 | 6400 | 4000    | 6000 |
| W (kg) | 15     | 29   | 43   | 57   | 27     | 49   | 71   | 93   | 37     | 70   | 103  | 136  | 57      | 107  |



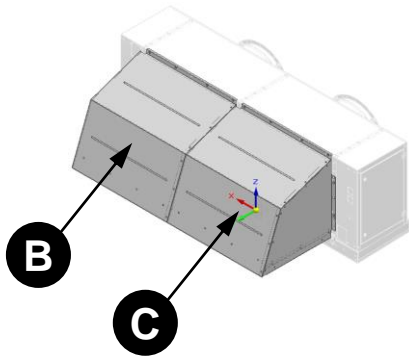
## 2. COMPOSITION DU KIT - KIT COMPOSITION - KIT-ZUSAMMENSETZUNG - COMPOSICIÓN DEL KIT - SKŁAD ZESTAWU

|               | NK 500 |    |    |    | NK 630 |    |    |    | NK 800 |    |    |    | NK 1000 |    |
|---------------|--------|----|----|----|--------|----|----|----|--------|----|----|----|---------|----|
|               | 1V     | 2V | 3V | 4V | 1V     | 2V | 3V | 4V | 1V     | 2V | 3V | 4V | 2V      | 3V |
| <b>A</b>      | 1      | 0  | 0  | 0  | 1      | 0  | 0  | 0  | 1      | 0  | 0  | 0  | 0       | 0  |
| <b>B</b>      | 0      | 1  | 1  | 1  | 0      | 1  | 1  | 1  | 0      | 1  | 1  | 1  | 1       | 1  |
| <b>C</b>      | 0      | 1  | 1  | 1  | 0      | 1  | 1  | 1  | 0      | 1  | 1  | 1  | 1       | 1  |
| <b>D</b>      | 0      | 0  | 1  | 2  | 0      | 0  | 1  | 2  | 0      | 0  | 1  | 2  | 0       | 1  |
| <b>E (M8)</b> | 8      | 14 | 20 | 26 | 12     | 20 | 28 | 36 | 12     | 20 | 28 | 36 | 20      | 28 |
| <b>F (M6)</b> | 0      | 6  | 12 | 18 | 0      | 6  | 12 | 18 | 0      | 6  | 12 | 18 | 9       | 18 |
| <b>F (M8)</b> | 8      | 14 | 20 | 26 | 12     | 20 | 28 | 36 | 12     | 20 | 28 | 36 | 20      | 28 |
| <b>G (M6)</b> | 0      | 6  | 12 | 18 | 0      | 6  | 12 | 18 | 0      | 6  | 12 | 18 | 9       | 18 |
| <b>G (M8)</b> | 8      | 14 | 20 | 26 | 12     | 20 | 28 | 36 | 12     | 20 | 28 | 36 | 20      | 28 |
| <b>H</b>      | 1      | 2  | 3  | 4  | 1      | 2  | 3  | 4  | 1      | 2  | 3  | 4  | 2       | 3  |

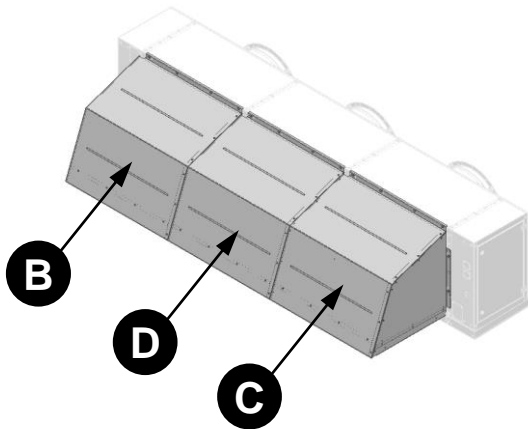




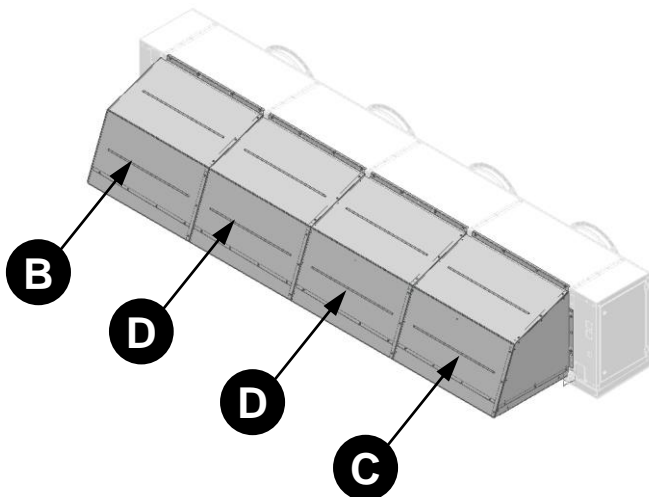
**NK ... 1V**



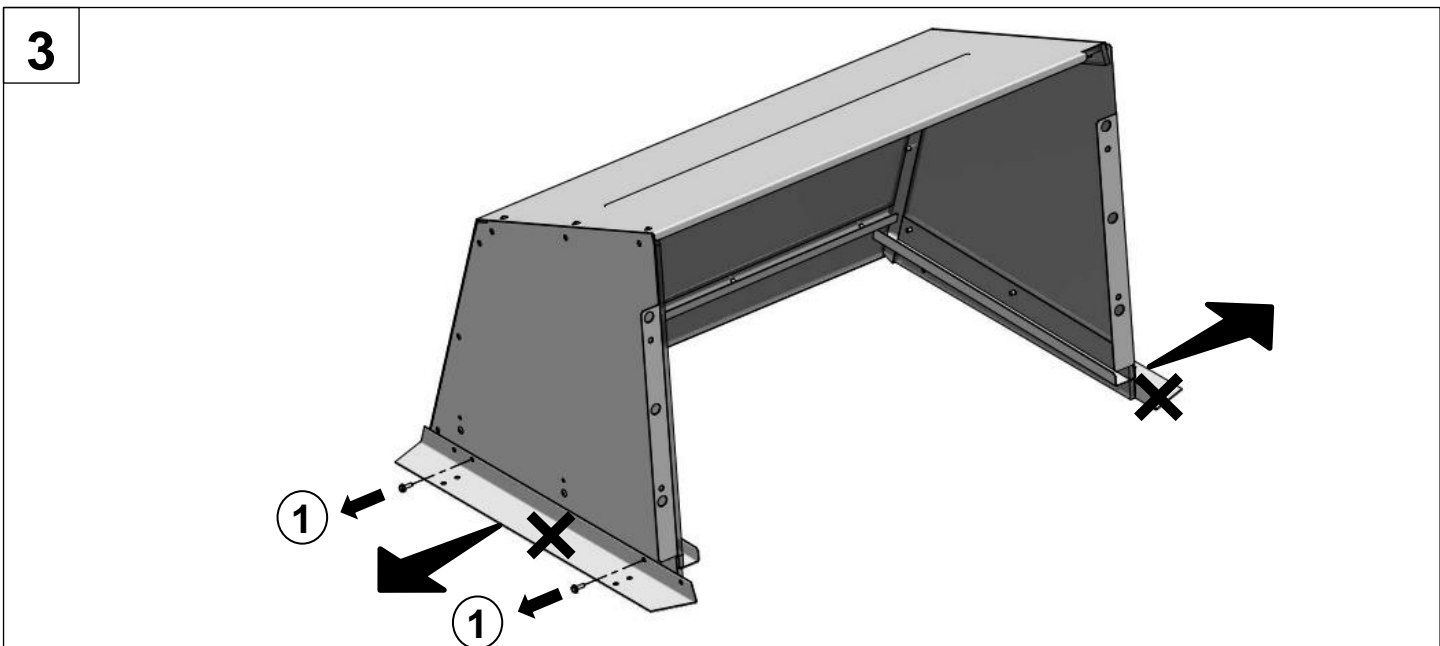
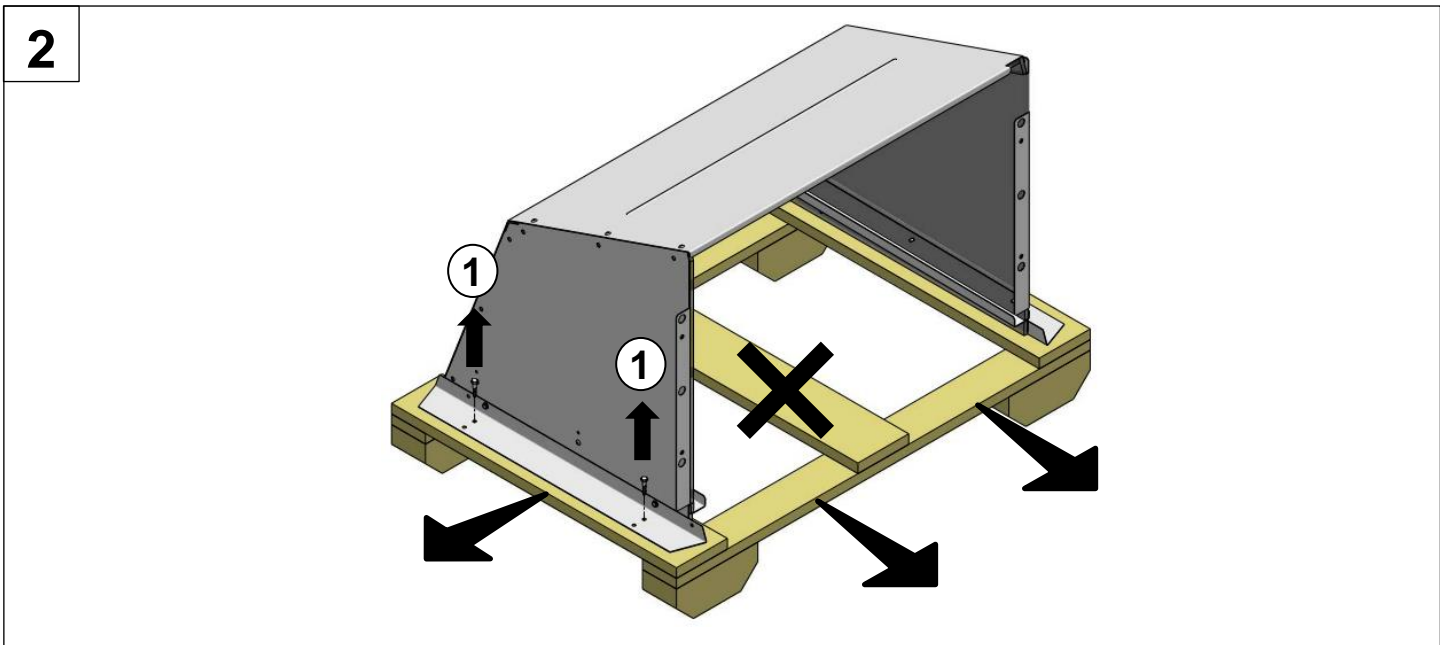
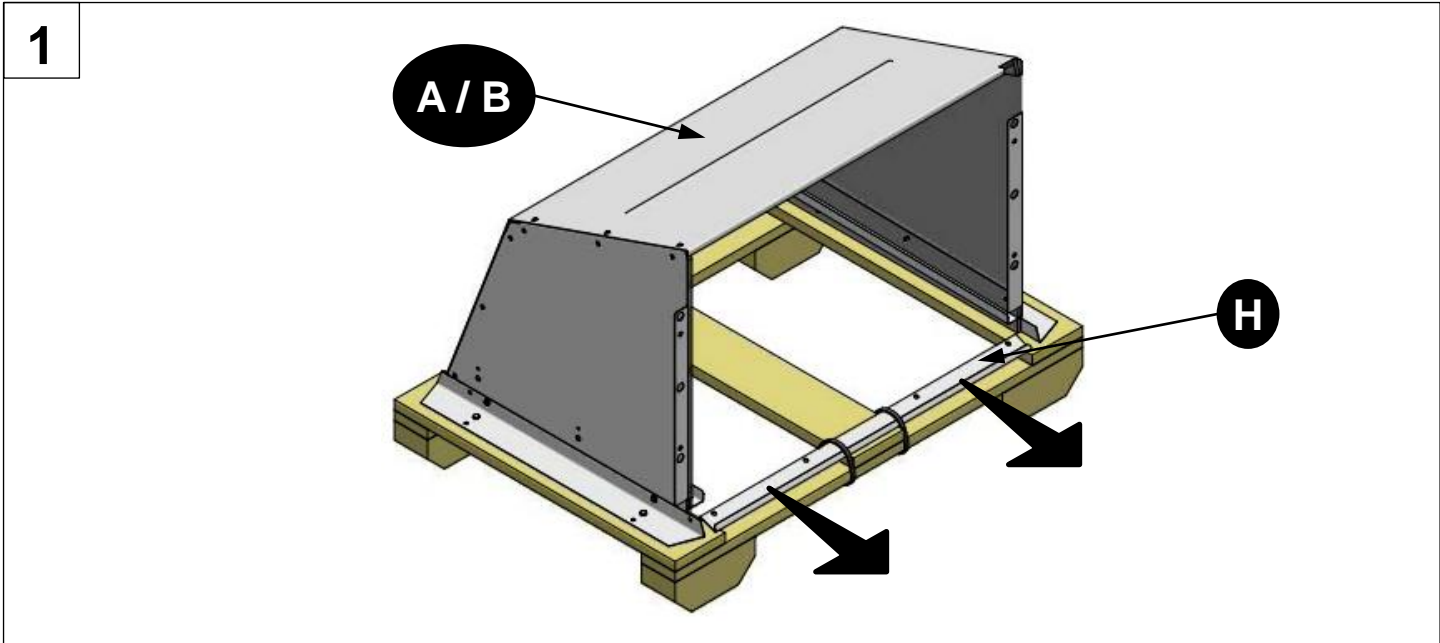
**NK ... 2V**



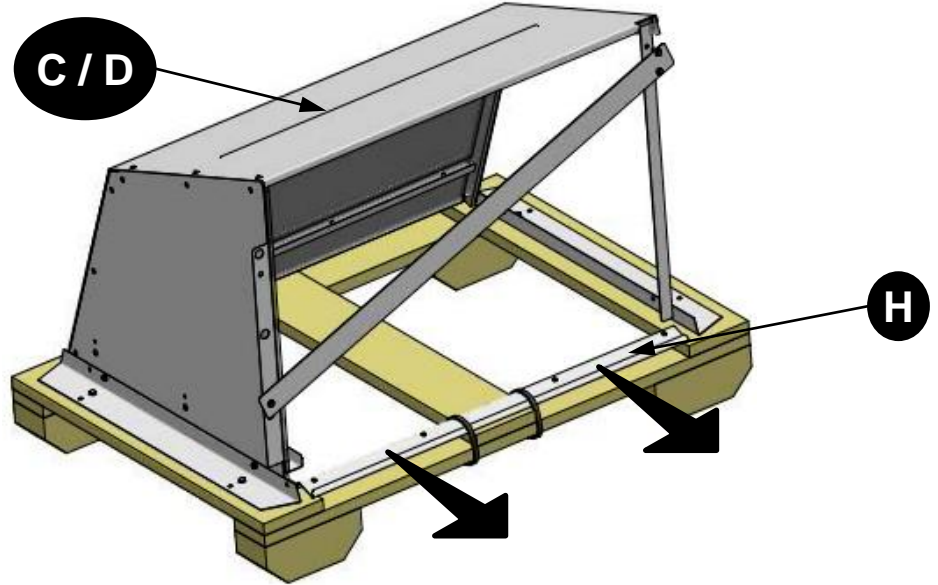
**NK ... 3V**



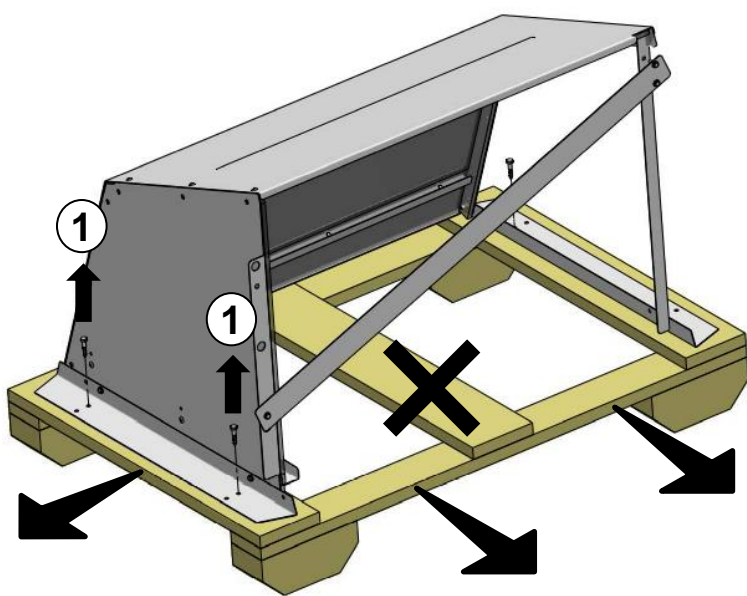
**NK ... 4V**



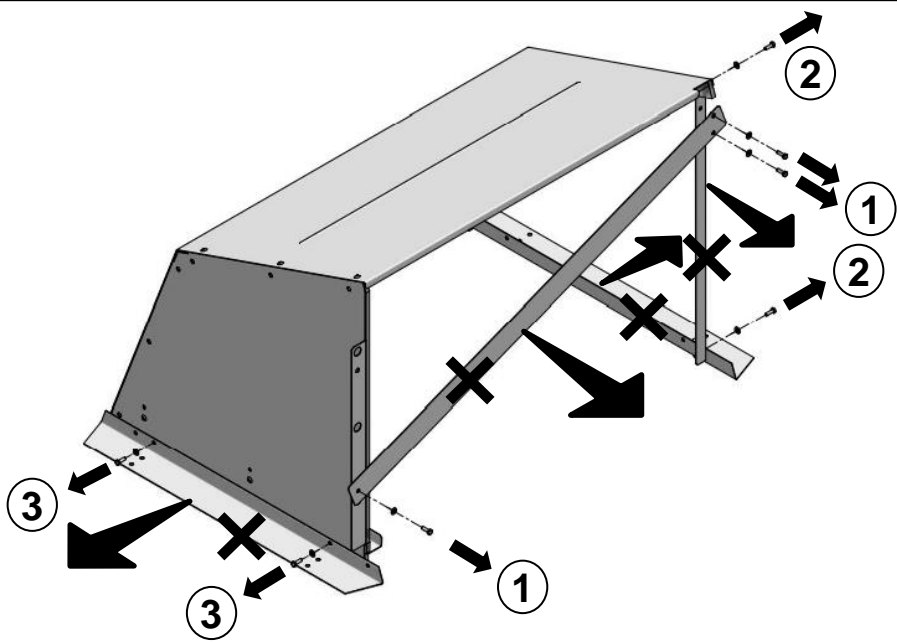
1



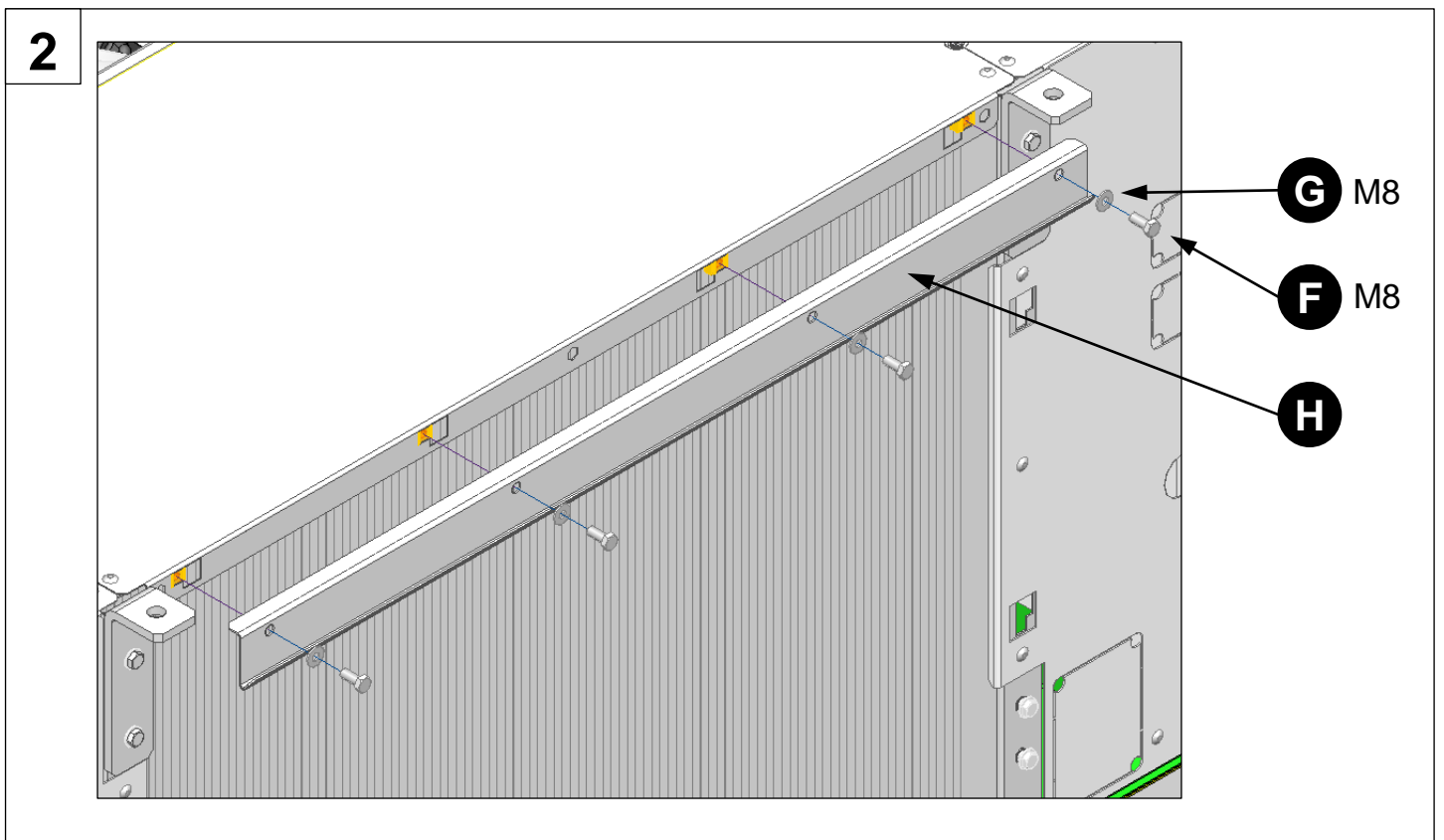
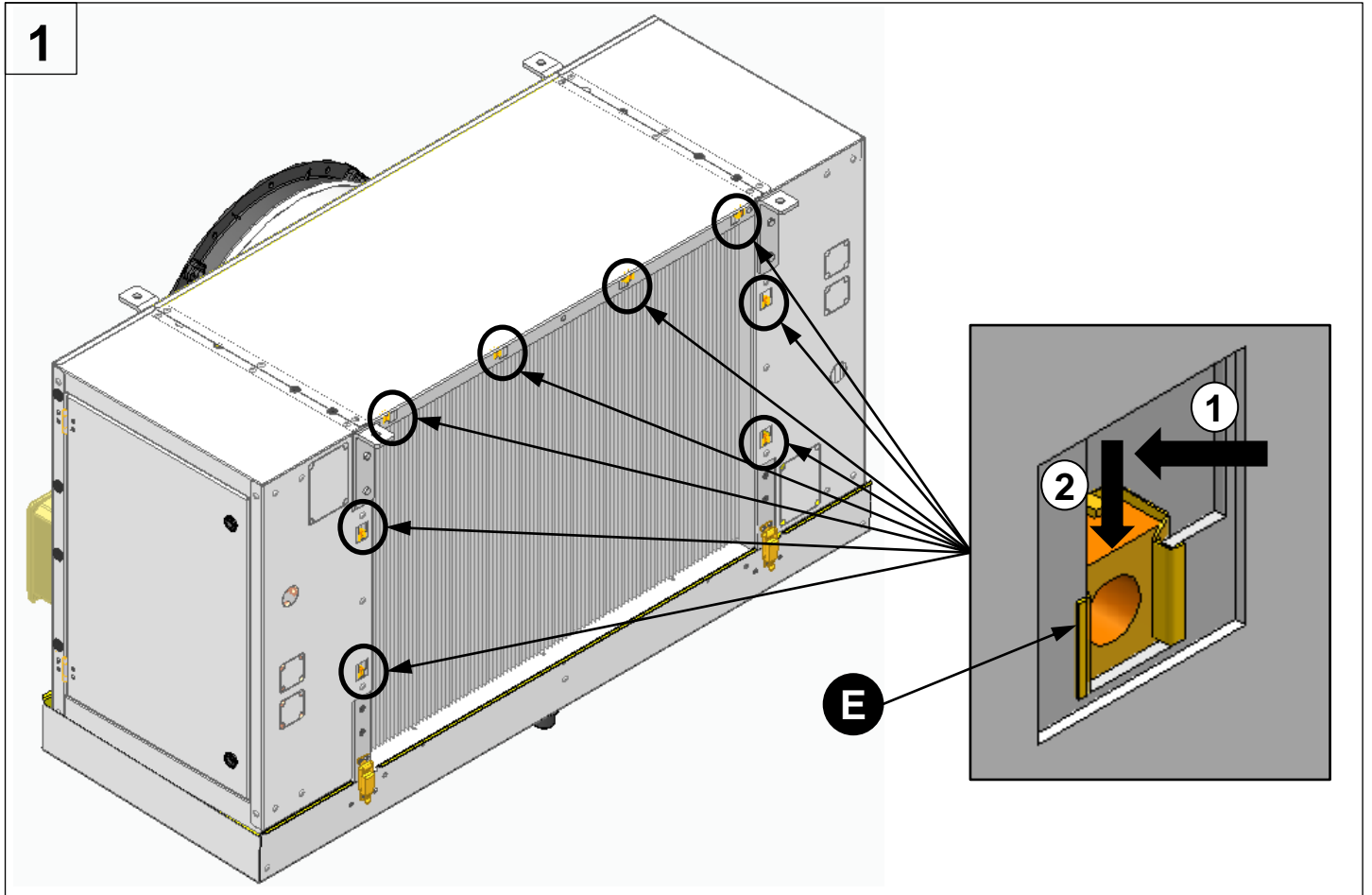
2



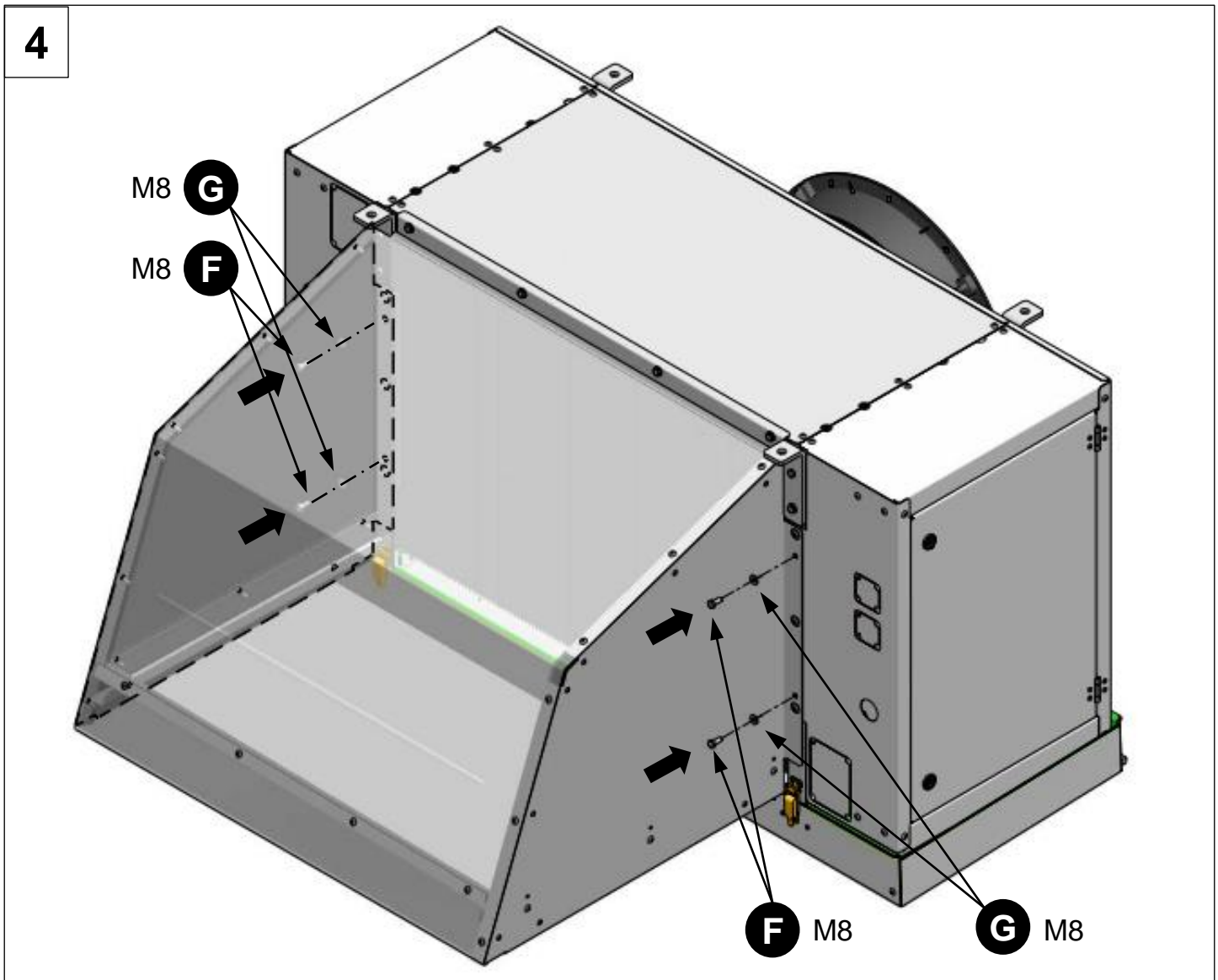
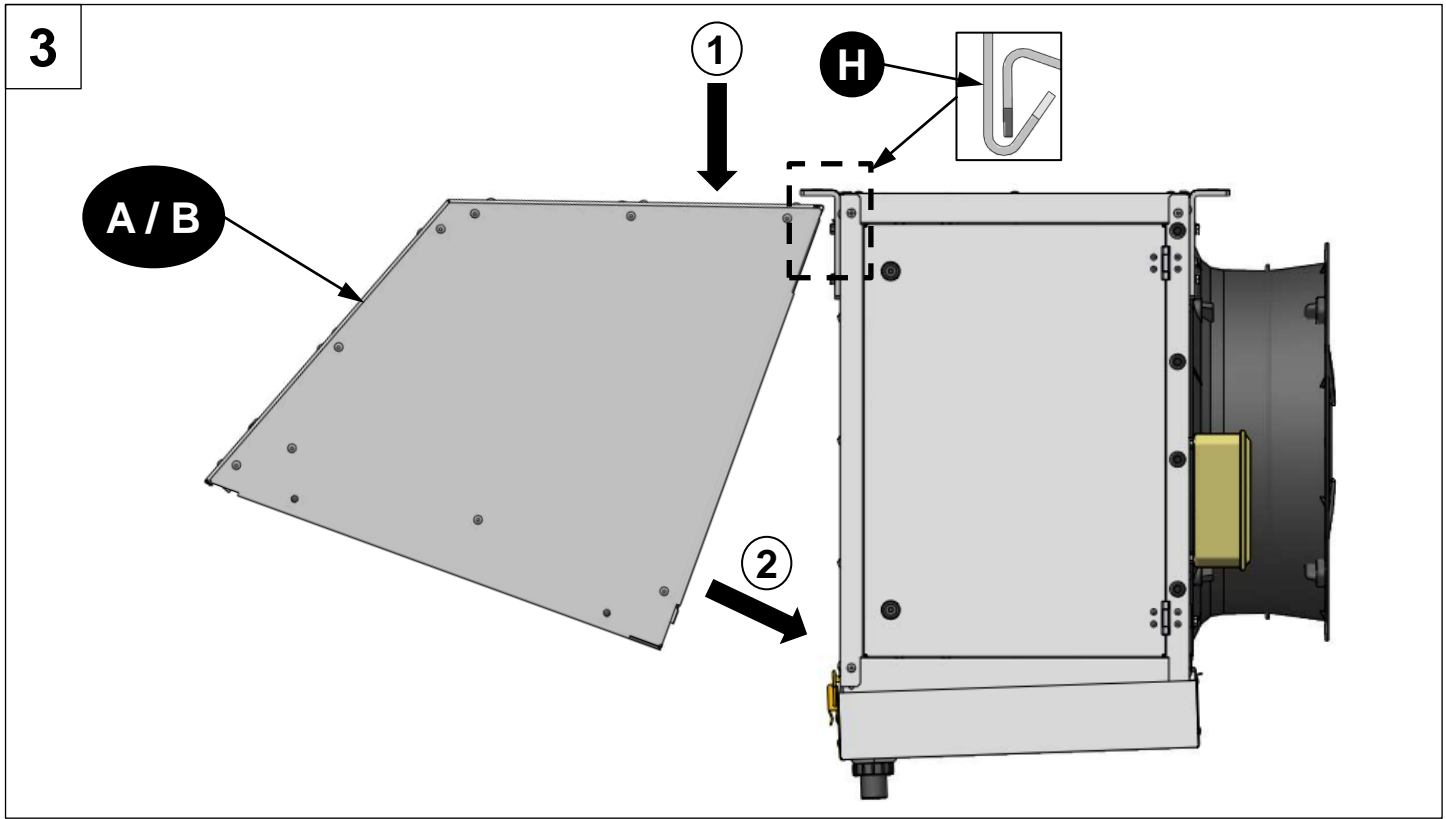
3

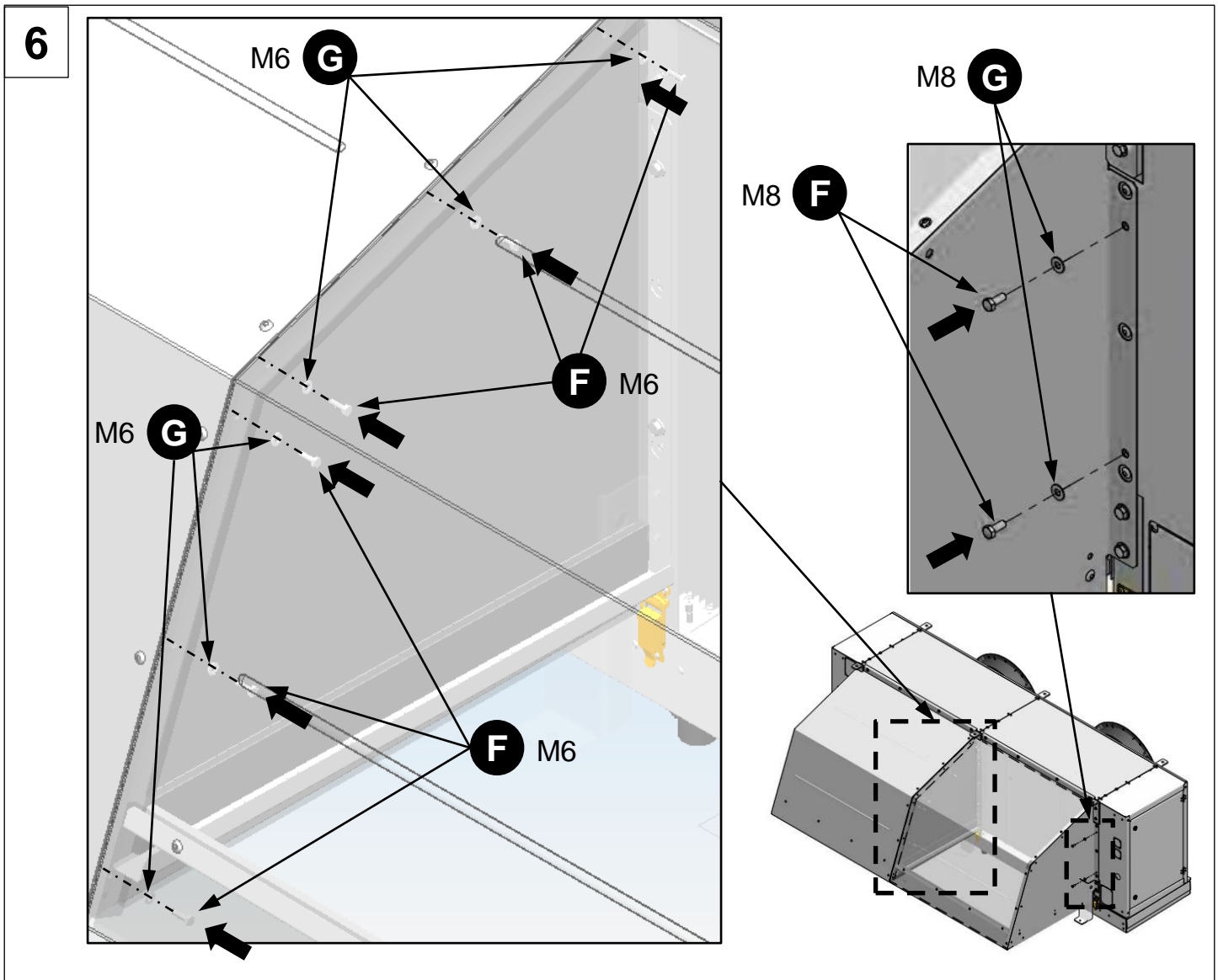
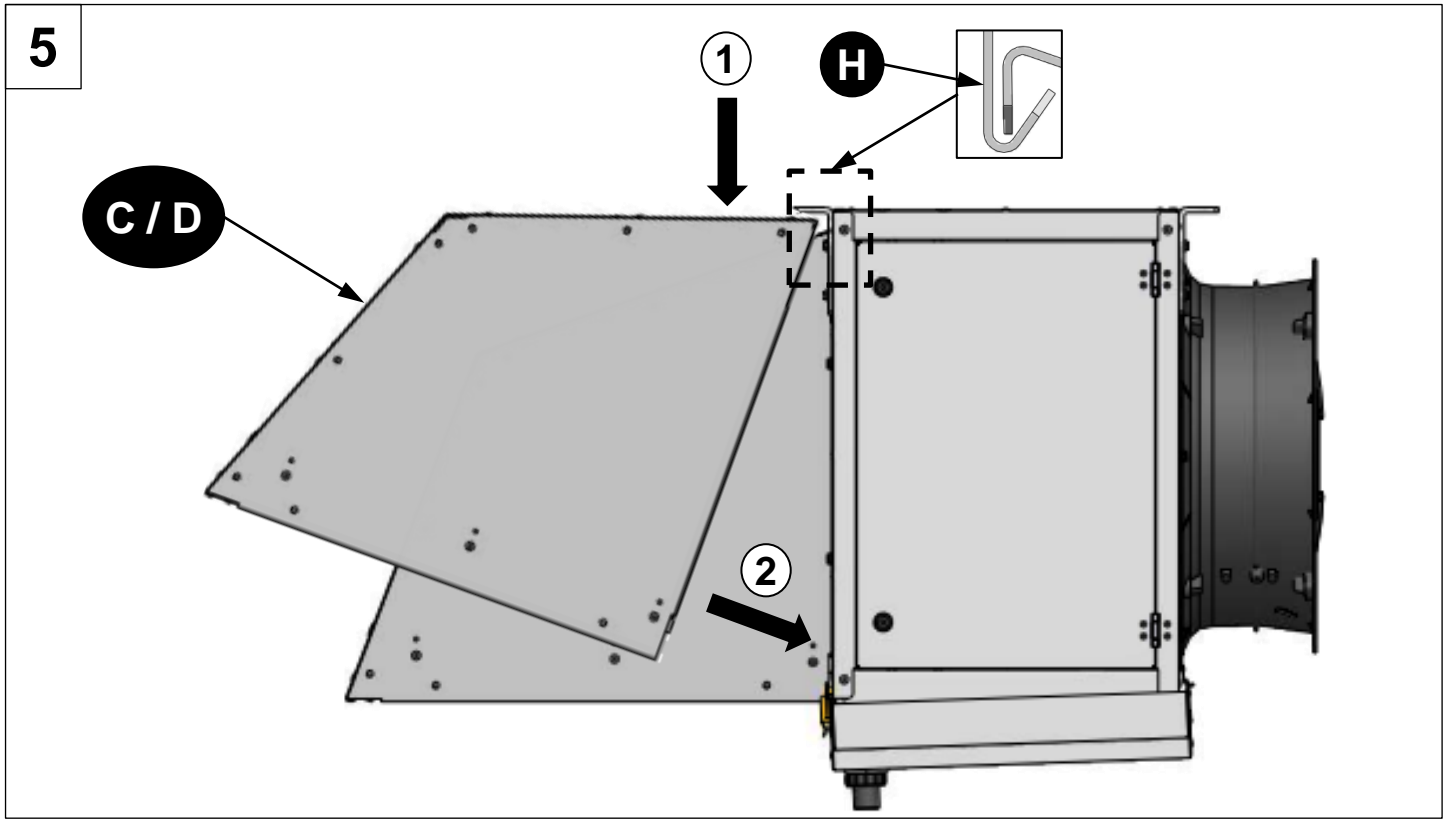


## 2. INSTALLATION - INSTALLATION - INSTALLATION - INSTALACIÓN - INSTALACJA











LENNOX EMEA se réserve le droit d'apporter toute modification sans préavis.  
LENNOX EMEA reserves itself the right to make changes at any time without preliminary notice. LENNOX EMEA  
Angaben und Abbildungen unverbindlich. Änderungen vorbehalten.  
LENNOX EMEA se reserva el derecho de aportar cualquier modificación sin preaviso.



[www.lennoxemea.com](http://www.lennoxemea.com)

**FRIGA-BOHN**

**HK<sup>®</sup>** **REFRIGERATION**